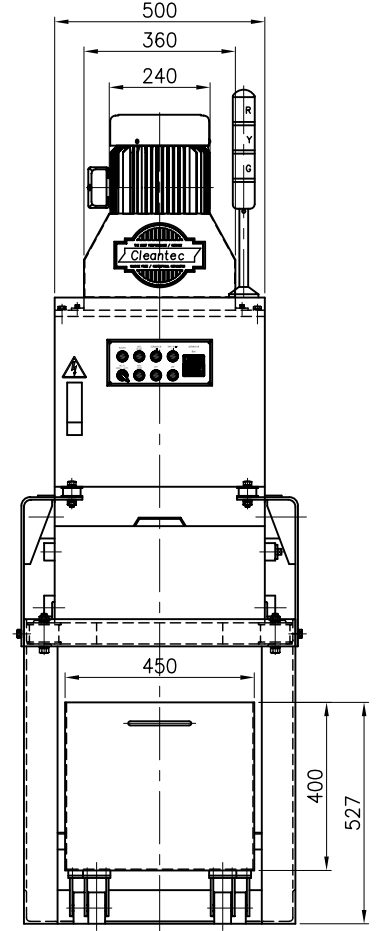
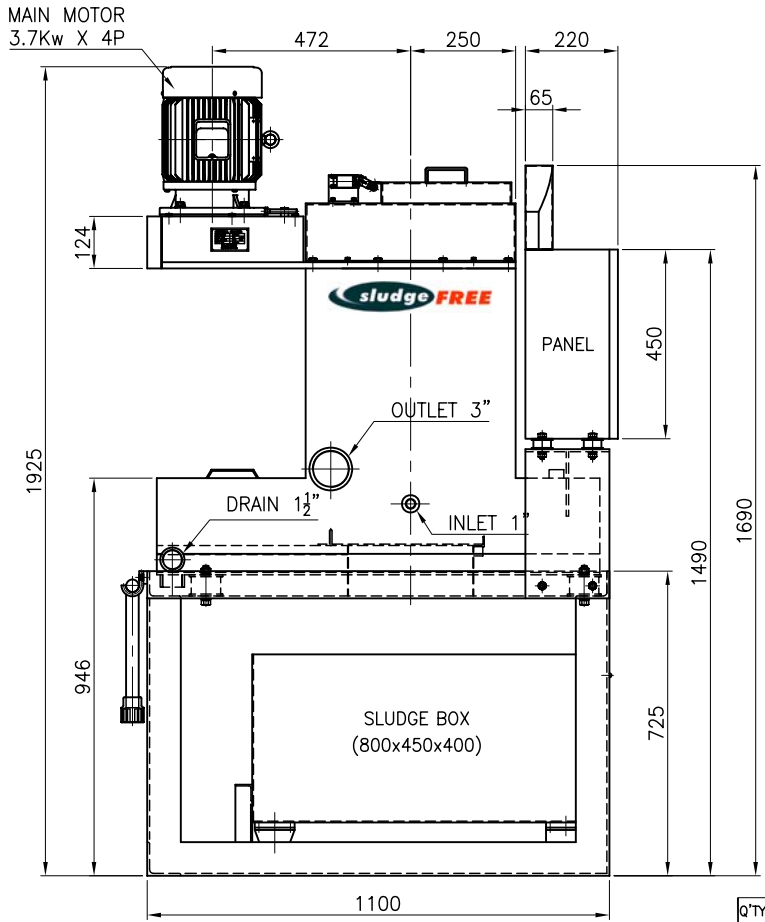
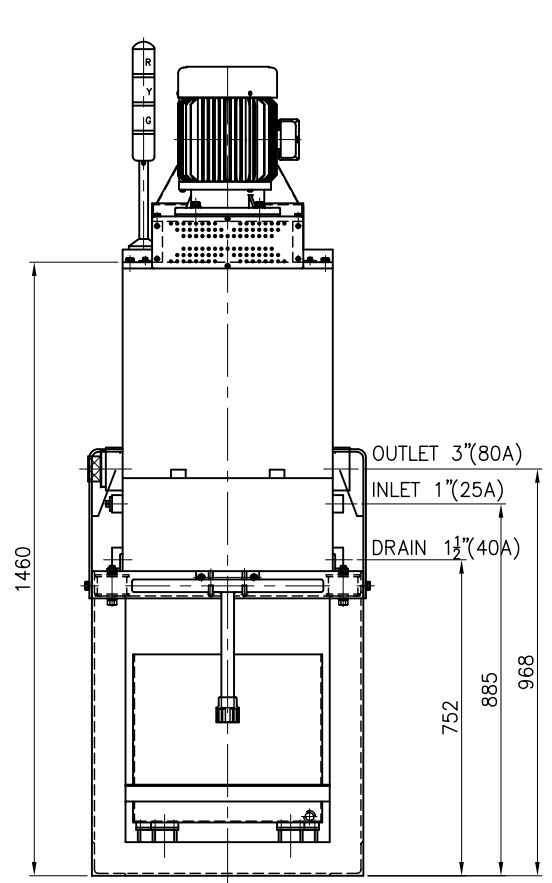
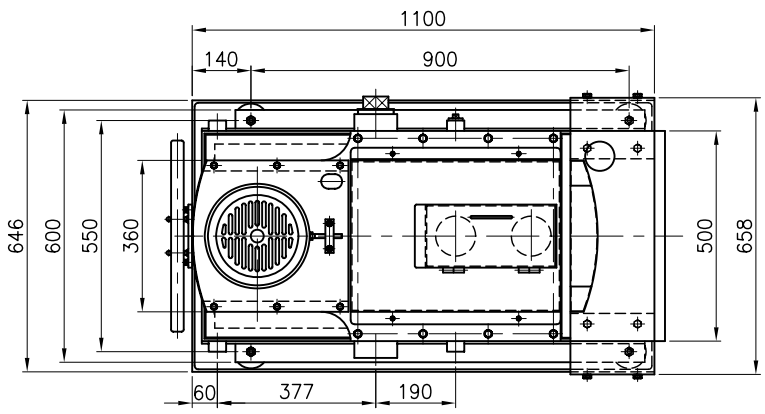


MODEL	SF-100S
Process Capacity	100 L/min



Q'TY	NO.	PART NO.	NAME	MAT'L	SIZE	WT.(kg)	REMARKS
▲			NOTE	STANDARD			
▲			APPD		TITLE	CENTRIFUGAL SEPARATOR	
▲			CHKD		SLUDGE FREE SF-100S		
▲			DESD		ASS'Y(하부배출 TYPE 외형도)		
▲			DRAW/08.07.22/ B.S.LEE		DWG. NO.	SF10S000	REG.
▲					AUX. NO.		
NO.	REV.	DATE	SIGN	CleanTec			